



Pompe a pistoni

Piston pumps



Piston pumps / Series EOS / EOS 3.1.7.0.

SERIE EOS

CODICE DI ORDINAZIONE / DECODING

3.1.7.0 . XXX . X . X . 00

 ROTAZIONE/ROTATION
 1 = SINISTRO/ANTICLOCKWISE
 2 = DESTRO/CLOCKWISE

 1 = UNI 3 FORI/3 HOLES UNI
 2 = DIN 4 FORI/4 HOLES DIN

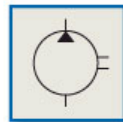
CILINDRATA/DISPLACEMENT

CODICE BASE/BASIC CODE

| TIPO / TYPE | CODICE / CODE |
|-------------|--------------------|
| EOS 12 | 3.1.7.0.012.X.X.00 |
| EOS 16 | 3.1.7.0.016.X.X.00 |
| EOS 25 | 3.1.7.0.025.X.X.00 |

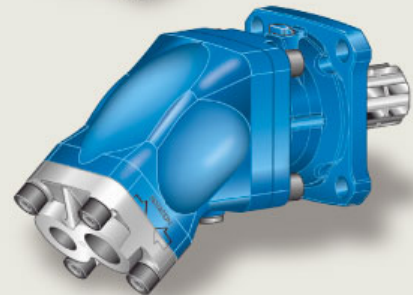
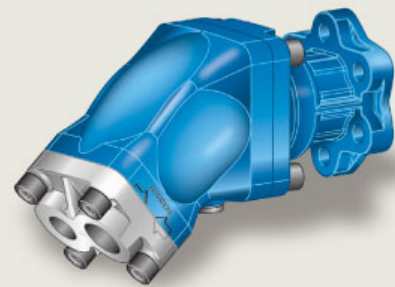
3.1.7.0.

UNI
 21-222

 EOS 12
 EOS 16
 EOS 25

DIN
 5 4 6 2
SE

 EOS 12
 EOS 16
 EOS 25


Piston pumps



SPECIFICATIONS AND TECHNICAL DATA

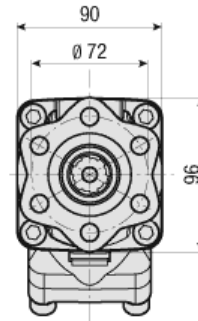
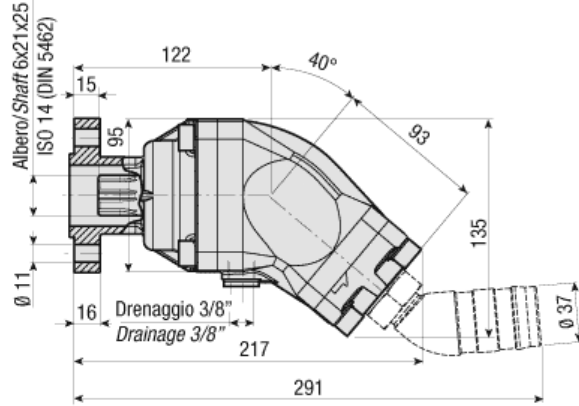
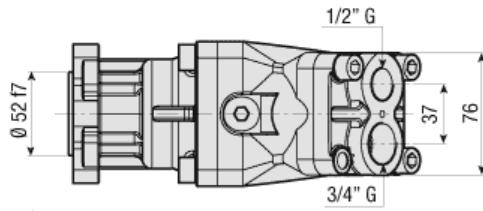
| TYPE | CODE | DISPLACEMENT cm ³ | MAX PRESSURE bar | MAX PEAK PRESSURE (P<= 0.1S) bar | MAX INTERMITTENT SPEED (P<=20 BAR) n/min r.p.m. | MAX CONTINUOUS SPEED (<=P1) n/min r.p.m. | MIN INTERMITTENT SPEED (<=P2X0.5) (MAX 30S) n/min r.p.m. |
|--------|--------------------|---------------------------------|------------------------|---|---|---|--|
| EOS 12 | 3.1.7.0.012.1.1.00 | 12,01 | 450 | 500 | 3000 | 2300 | 300 |
| | 3.1.7.0.012.1.2.00 | | | | | | |
| | 3.1.7.0.012.2.1.00 | | | | | | |
| | 3.1.7.0.012.2.2.00 | | | | | | |
| EOS 16 | 3.1.7.0.016.1.1.00 | 16,81 | 450 | 500 | 3000 | 2300 | 300 |
| | 3.1.7.0.016.1.2.00 | | | | | | |
| | 3.1.7.0.016.2.1.00 | | | | | | |
| | 3.1.7.0.016.2.2.00 | | | | | | |
| EOS 25 | 3.1.7.0.025.1.1.00 | 25,61 | 450 | 500 | 3000 | 2300 | 300 |
| | 3.1.7.0.025.1.2.00 | | | | | | |
| | 3.1.7.0.025.2.1.00 | | | | | | |

3.1.7.0.025.2.2.00

DIMENSIONI / DIMENSIONS

**UNI
21-222**

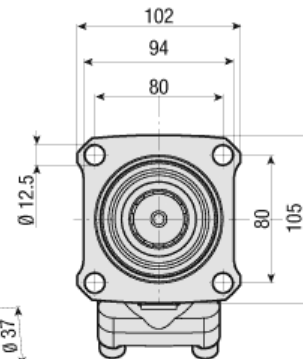
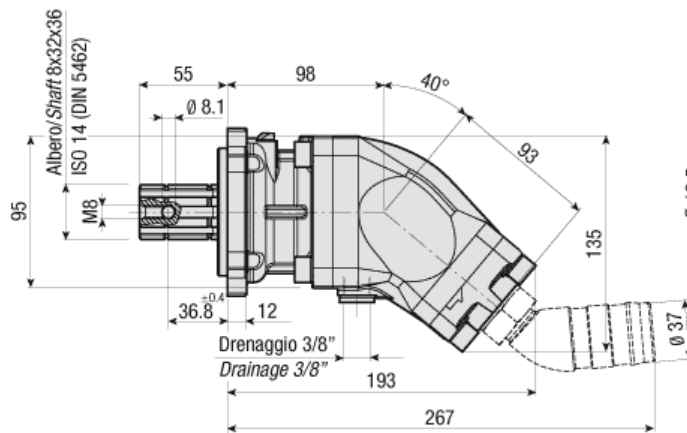
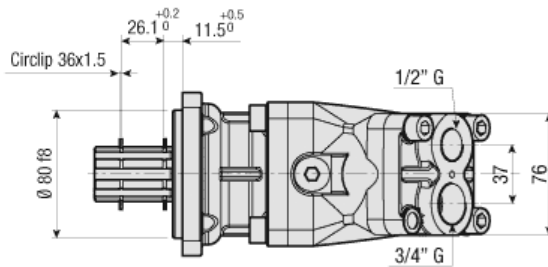
**3 FORI
3 HOLES**



DIMENSIONI / DIMENSIONS

**DIN
5462
SE**

**4 FORI
4 HOLES**



| TYPE | CODE | DISPLACEMENT cm3 | #PRESSIONE IN ASPIRAZIONE bar | OPERATING VISCOSITY RANGE cST | OPTIMAL VISCOSITY RANGE cST | MAX VISCOSITY AT START-UP cST | FLUID TEMPERATURE °C |
|--------|--------------------|---------------------|-------------------------------------|--|--------------------------------------|--|----------------------------|
| EOS 12 | 3.1.7.0.012.1.1.00 | 12,01 | 0,7 Å· 1,5 | 9 Å· 75 | 15 Å· 46 | 1000 | -25Å· Å· 80Å· |
| | 3.1.7.0.012.1.2.00 | | | | | | |
| | 3.1.7.0.012.2.1.00 | | | | | | |
| | 3.1.7.0.012.2.2.00 | | | | | | |

| | | | | | | | |
|--------|--------------------|-------|------------|---------|----------|------|---------------|
| EOS 16 | 3.1.7.0.016.1.1.00 | 16,81 | 0,7 Å· 1,5 | 9 Å· 75 | 15 Å· 46 | 1000 | -25Å° Å· 80Å° |
| | 3.1.7.0.016.1.2.00 | | | | | | |
| | 3.1.7.0.016.2.1.00 | | | | | | |
| | 3.1.7.0.016.2.2.00 | | | | | | |
| EOS 25 | 3.1.7.0.025.1.1.00 | 25,61 | 0,7 Å· 1,5 | 9 Å· 75 | 15 Å· 46 | 1000 | -25Å° Å· 80Å° |
| | 3.1.7.0.025.1.2.00 | | | | | | |
| | 3.1.7.0.025.2.1.00 | | | | | | |
| | 3.1.7.0.025.2.2.00 | | | | | | |

Interpump Hydraulics Spa a socio unico - Business Unit PZB

Sede Legale ed Operativa: Via A. Mingozzi, 6 - 40012 Calderara di Reno (BO) - Italy

Tel.: +39 051 6460511 - Fax ITA: +39 051 6460565 - Fax EXPO: +39 051 6460560

E-mail ITA: venditeitalia@pzbitaly.com - E-mail EXPO: info@pzbitaly.com - Web: www.pzbitaly.com

Cap. Soc. Euro 2.631.600,00 i.v. - N. Mecc. BO 056383 - R.E.A. BO 444225 - C.F. 00883010241 - P.Iva IT02128140361

Soggetta ad attivit  di Direzione e Coordinamento da parte di Interpump Group Spa

[HOME](#) [RESERVED AREA](#) [COOKIES POLICY](#)

Copyright © 2015 Interpump Hydraulics.

website optimized for
Internet Explorer 9 ■ Safari 5.1 ■ Chrome 18 ■ Opera 11.61 ■ Firefox 11

